

Operating Tables

# PRACTICO

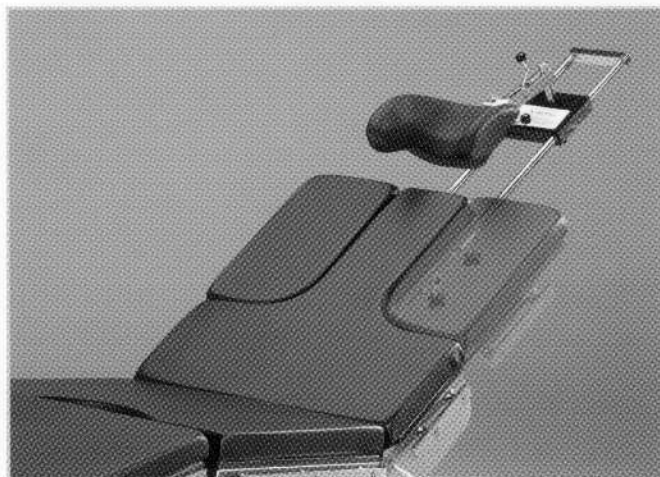
Versatile and adaptable



**MERIVAARA**

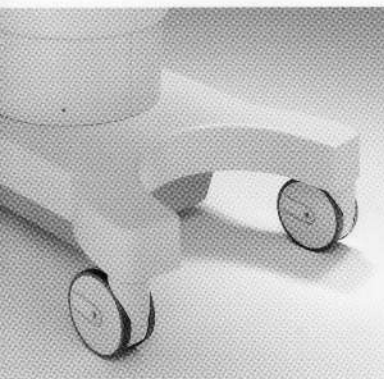
# Electrical operating table for general and day surgery

Merivaara's product development gives special attention to proper user ergonomics. All Merivaara products are designed in co-operation with the customer. Mobile operating table Practico easily meets even the most stringent clinical and economical requirements.

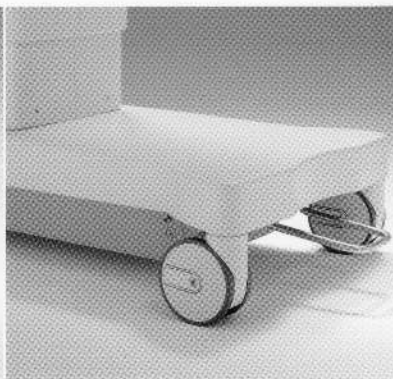


Optional electrical back rest for shoulder arthroscopy ("Beach Chair") 1000 20125

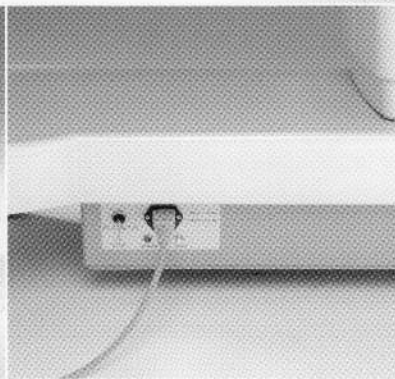
Close-up of Practico:



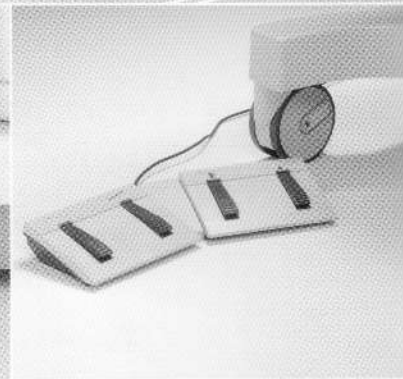
The open design makes it easy to get close to the patient.



Practico features excellent mobility and transportability.



Practico is a battery-operated operating table, which can also be connected to the power mains. The battery capacity is sufficient for at least one week of surgical procedures, and the table can even be used while the battery is charging.



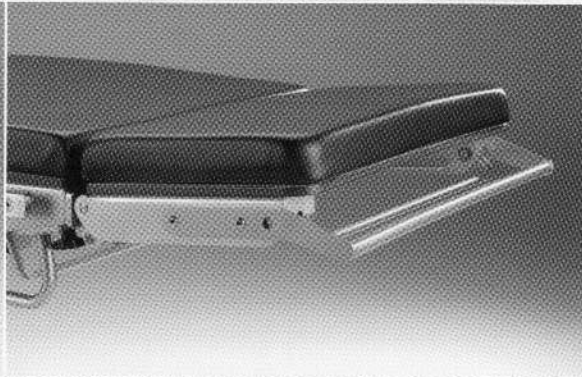
The separately available accessory foot control unit increases the utility of Practico in gynaecological and urological procedures.

1000 20351

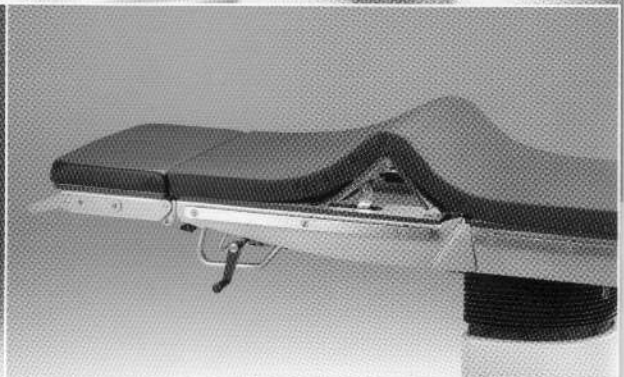


Practico with a drainage  
equipped steel bowl (6 l)  
100 201572

Without drainage  
100 201571



Push bar to the head end  
1000 20593

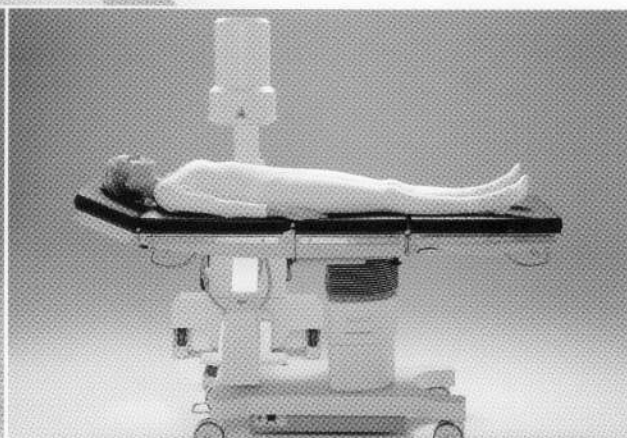


Optional gas spring-assisted back rest, with  
integrated kidney elevator  
1000 20135

Practico is available with a wide range of accessories, which are presented in a separate brochure.

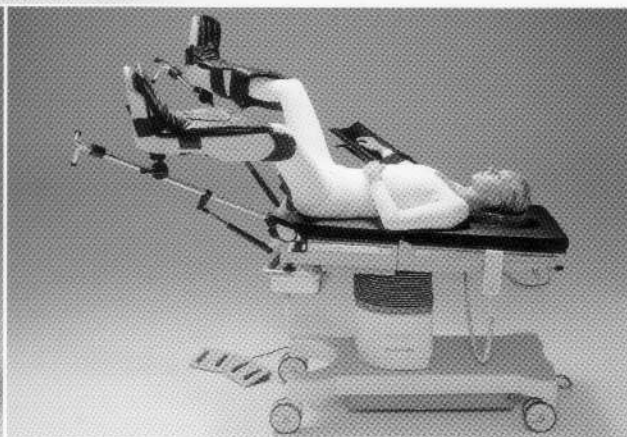
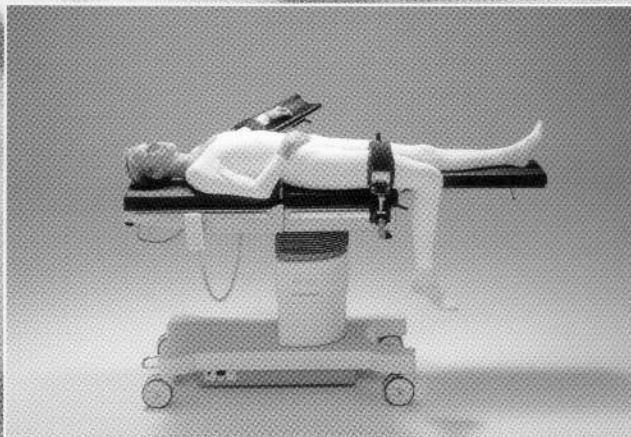
Examples of Practico use in different surgical procedures

able



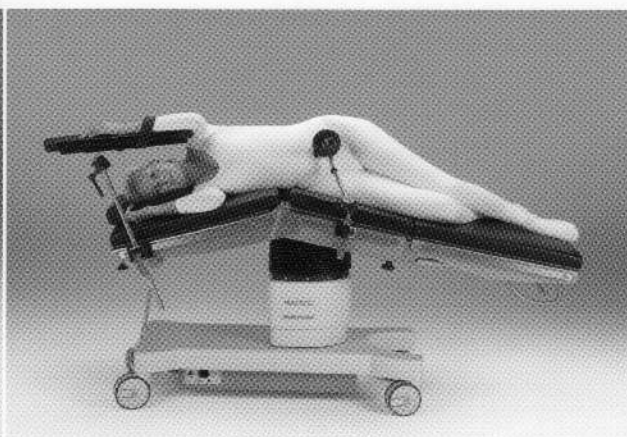
**Ophthalmic surgery, accessories:**  
 Head rest for ophthalmology 1000 18150  
 Adapter for head rest 1000 20146  
 Arm supports, pair 1000 00151

**General surgery, Practico with table top longitudinal displacement**  
 (Practico allows for the use of C-arm for imaging the entire length of the patient's body)



**Knee arthroscopy, accessories:**  
 Arthroscopic leg holder 1000 12531

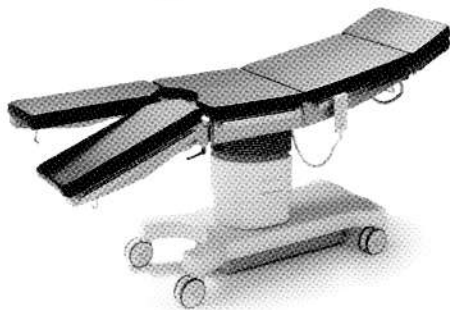
**Gynaecology/laparoscopic surgery, accessories:**  
 Gas spring-assisted leg holders 1000 12581  
 Foot control 1000 20351



**Femur nailing, Practico equipped with an orthopaedic attachment 1000 19110**  
 Adapter 1000 19116  
 Knee crutches 1000 11181

**Thorax and kidney surgery, Practico equipped with an electric back section 1000 20122, accessories:**  
 Lateral arm board 1000 11802  
 Lateral braces; Round pad 1000 11651, Rectangular pad 1000 11652





# PRACTICO

**An electrically-powered operating table for general and day surgery**

## TECHNICAL SPECIFICATIONS

- length: 2040 mm or 2070 mm (divided leg section)
- width: 590 mm (incl. accessory rails)
- mattress size: 540 x 2040/2070 x 50 mm, antistatic mattress
- weight: 165 kg
- max. load: 180 kg
- battery power supply: 36 V DC 7.2 Ah
- built-in charger: 230 V/50 Hz
- table can be used during recharging, battery capacity is sufficient for one week of surgical procedures
- complies with EN 60601-1, EN 60601-2-46, EN 60601-1-2

## ADJUSTMENTS

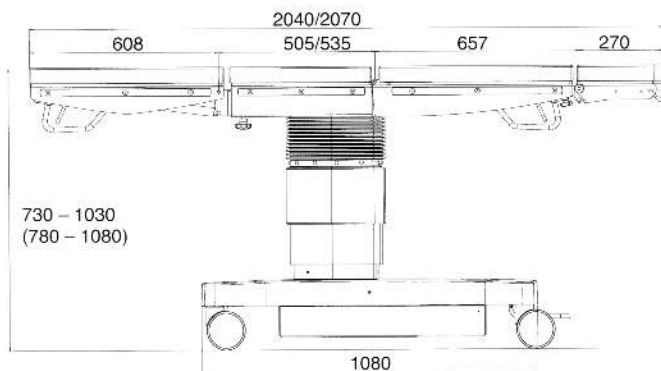
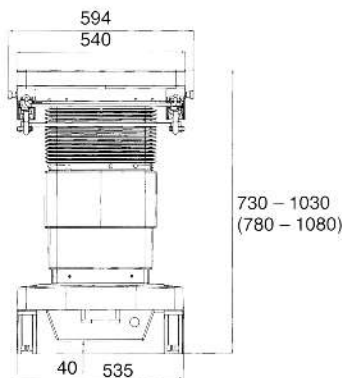
- height: 730 – 1030 mm electrically
- lateral tilt:  $\pm 20^\circ$  electrically
- Trendelenburg/Reverse Trendelenburg:  $\pm 26^\circ$  electrically
- back section:  $-30^\circ \dots +70^\circ$   
using gas-spring assisted manual control
- leg section:  $-90^\circ \dots +25^\circ$   
using gas-spring assisted manual control
- head section:  $-45^\circ \dots +30^\circ$   
using gas-spring assisted manual control

## ADDITIONAL OPTIONS

- electrical back section adjustment  $-30^\circ \dots +70^\circ$  or electrical sliding 300 mm (with gas spring assisted back section  $-4^\circ \dots +70^\circ$ )

## TABLE TOP AND BASE

- 4 or 5 section versions
- leg and head section are removable
- table top glass bead blasted, stainless steel, table top sections high-pressure laminate
- RTG cassette tunnel running the entire length of the table
- accessory rails made of stainless steel
- base and column casings made of easily cleanable special plastics
- $\varnothing$  125 mm, anti-static swivelling twin-castors (4 pcs)
- central brake system



Soluzioni per l'Ospedale

**GIEMME**  
Italia s.r.l.

tel 095 3788130  
fax 095 494163  
cell 360 649942  
mail info@giemmeitalia.it  
www.giemmeitalia.it

www.comesamed.it • info@comesamed.it

